

## DS-2CE12DF3T-F 2 MP ColorVu Fixed Bullet Camera



- High quality imaging with 2 MP, 1920 × 1080 resolution
- 24/7 color imaging with F1.0 aperture
- Clear imaging against strong back light due to 130 dB true WDR technology
- 3D DNR technology delivers clean and sharp images
- 2.8 mm, 3.6 mm fixed focal lens
- Up to 40 m white light distance for bright night imaging
- One port for four switchable signals (TVI/AHD/CVI/CVBS)
- Water and dust resistant (IP67)

## ▪ Specification

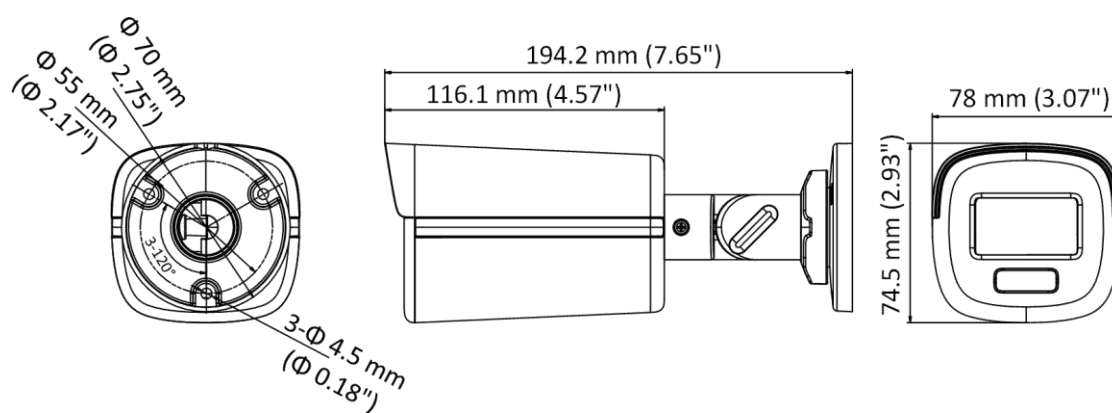
Camera	
Image Sensor	2 MP CMOS
Max. Resolution	1920 (H) × 1080 (V)
Min. Illumination	0.0005 Lux @ (F1.0, AGC ON), 0 Lux with white light ON
Shutter Time	PAL: 1/25 s to 1/50,000 s; NTSC: 1/30 s to 1/50,000 s
Day & Night	24/7 Color Imaging
Angle Adjustment	Pan: 0° to 360°, Tilt: 0° to 90°, Rotation: 0° to 360°
Signal System	PAL/NTSC
Slow Shutter	Max. 16 times
Light Alarm	Solid Light Alarm (White Light)
Lens	
Lens Type	2.8 mm, 3.6 mm fixed focal lens
Focal Length & FOV	2.8 mm, horizontal FOV: 106°, vertical FOV: 56°, diagonal FOV: 129° 3.6 mm, horizontal FOV: 83°, vertical FOV: 44°, diagonal FOV: 100°
Lens Mount	M12
Illuminator	
Supplement Light Type	White Light
Supplement Light Range	Up to 40 m
Smart Supplement Light	Yes
Supplement Light Type	White Light
Image	
Image Parameters Switch	STD/HIGH-SAT/HIGHLIGHT
Image Settings	Brightness, Contrast, Mirror, Defective Pixel Correction, Sharpness, Smart Light, Anti-Banding
Frame Rate	TVI: 1080p@25fps/30fps CVI: 1080p@25fps/30fps AHD: 1080p@25fps/30fps CVBS: PAL/NTSC
Day/Night Mode	Color
Wide Dynamic Range (WDR)	≥130 dB
Image Enhancement	BLC, HLC, Global, HLS
Privacy Mask	4 programmable privacy masks
Noise Reduction	3D DNR/2D DNR
White Balance	Auto/Manual
Interface	
Video Output	Switchable TVI/AHD/CVI/CVBS
Event	
Motion Detection	4 programmable motion areas
General	
Power	12 VDC ± 25%, max. 4.2 W *You are recommended to use one power adapter to supply the power for one camera.
Material	Metal
Dimension	194.2 mm × 78 mm × 74.5 mm (7.65" × 3.07" × 2.93")

Weight	Approx. 514.5 g (1.13 lb.)
Operating Condition	-40 °C to 60 °C (-40 °F to 140 °F), humidity: 90% or less (non-condensation)
Communication	HIKVISION-C
<b>Approval</b>	
Protection	IP67

▪ **Available Model**

DS-2CE12DF3T-F

▪ **Dimension**



▪ **Accessory**

▪ **Optional**

**DS-1280ZJ-XS**  
Junction box



**Headquarters**

No.555 Qianmo Road, Binjiang District,  
Hangzhou 310051, China  
T +86-571-8807-5998  
www.hikvision.com



Follow us on social media to get the latest product and solution information.

